



**BEFORE YOU BEGIN**  
Read and follow all safety instructions



## WARNING

### RISK OF FIRE, EXPLOSION AND ELECTRIC SHOCK

- This product should be installed, inspected, and maintained by a qualified electrician only, in accordance with the NEC (National Electric Code) and all local codes.
- Turn off electrical power before inspection, installation or removal.
- Use only UL (or other NRTL) approved wire for input/output connections.
- Make sure LEDs and drivers are cool to touch when performing maintenance.  
Make sure the supply voltage is the same as the rated voltage of the luminaire.
- Do not install in a hazardous atmosphere, except where the ambient temperature does not exceed the rated operating temperature of the fixture.
- Keep tightly closed when in operation



### Prepare Electrical Wiring



#### Electrical Requirements

Must check if the local voltage range is correspond with the working voltage of the fixture. Use min. 75°C supply.



#### Grounding Instructions

The grounding and bonding of the overall system shall be done in accordance with NEC Article 600 and local codes.



Follow all applicable safety procedures and use Personal Protective Equipment such as hardhats, safety glasses, reflective vest, electrical safety gloves, fall protection equipment and safety toe boots during the installation, operation, and maintenance of the luminaire.

**\* Any damage caused from improper installation will void warranty and not be accepted for RGA (Return Goods Authorization). Improper installation includes but not limited to field-drilled hole(s) and any damage caused during installation.**

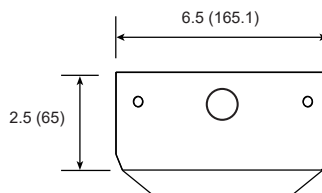
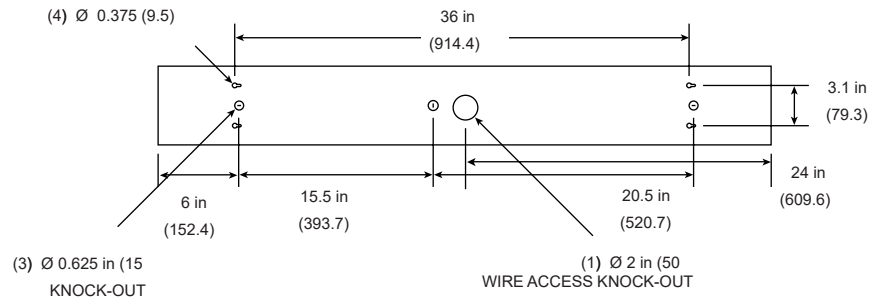
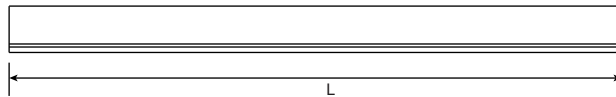
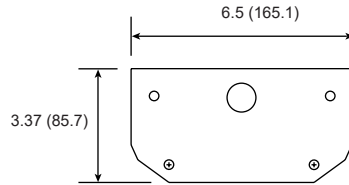
Contractor is responsible for adequately reinforcing ceilings to support luminaire weight. Alcon Lighting accepts no responsibility for inadequately reinforced ceilings. The information contained in this drawing is the sole property of Alcon Lighting.

Any reproduction in part or whole without the written permission of Alcon Lighting is prohibited and warranty is voided.

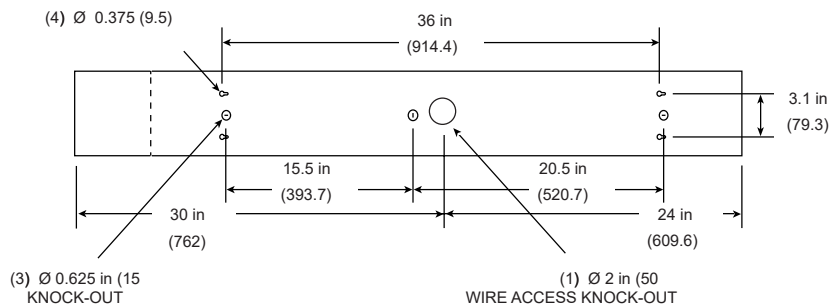
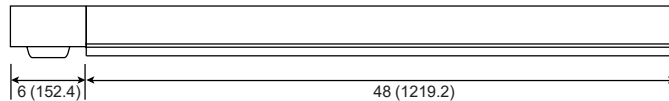
## DIMENSIONS

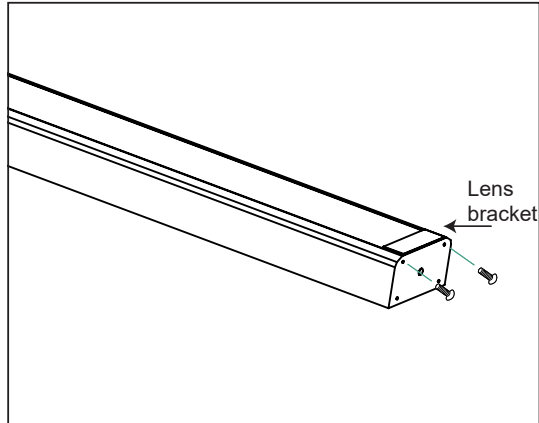
All dimensions are in inches (millimeters).

### 12517

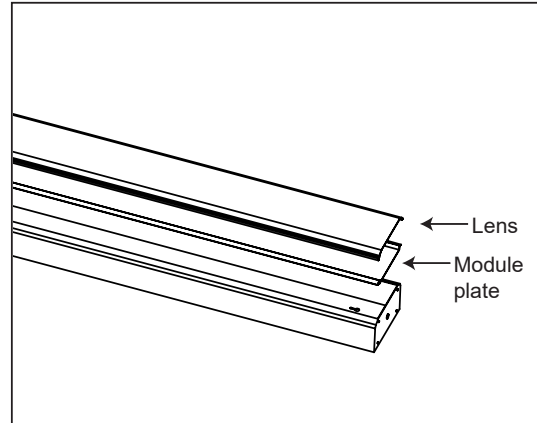


### 12517 with Optional Motion Sensor

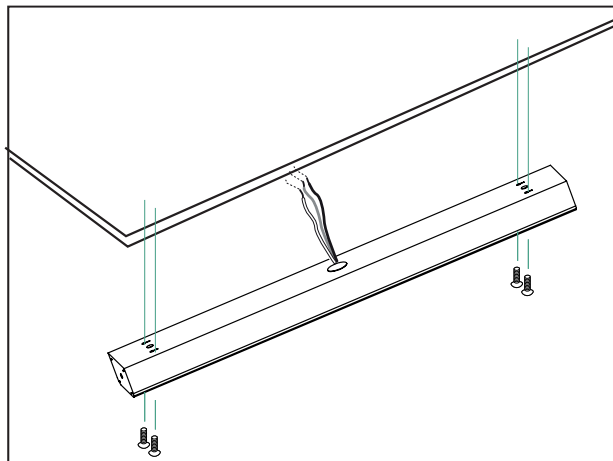




- 1 Remove two screws from both end caps to remove lens brackets.

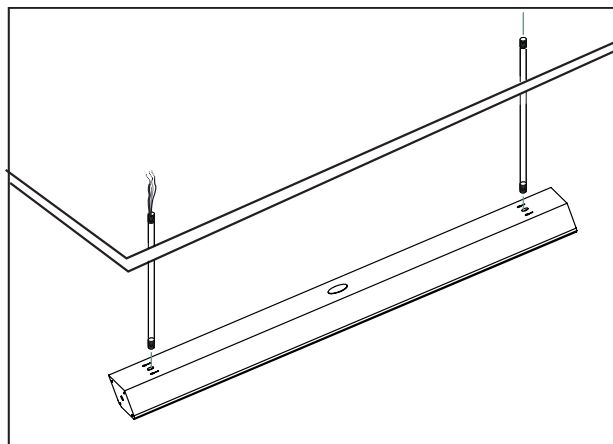


- 2 Then remove lens and unscrew module plate.



### Ceiling / Wall / Surface Mount

1. Remove lens and module plate.
2. Exit out the power supply and ground wire through the center hole, make wire connection.
3. Use key holes on the back of the housing with screws to fix the fixture on surface.
4. Reinstall the module plate, lens and lens brackets.



### Pendant Mount

1. Remove lens and module plate.
2. Exit out the power supply and ground wire through the stem and make wire connection.
3. Hang the fixture with stems by twisting stem rod tightly.
4. Reinstall the module plate, lens and lens brackets.